







1 Function Ex d/e Flexible Conduit Straight Fittings

E-CORVUS



Technical Details			
Material	Body, Cap	Brass, Brass Nickel Plated, Stainless Steel 316L	
	Seal	CR (Chloroprene), Silicone	
	O-ring	CR (Chloroprene), Silicone	
Ingress Protection Rating	IP 68 - 5 Bar, 30 min IP 66		
Operating Temperature	Seal Material		
	CR (Chloroprene)	Silicone	
	Ex d/tb	-40°C to +80°C	
Ex e/tb	-40°C to +80°C		
Equipment For	Gas & Dust potentially explosive atmospheres		
Suitable for use in	Group II	Gas Group IIC	ZONE1/ZONE2
	Group III	Dust Group IIIC	ZONE21/ZONE 22
	Equipment Marking		
Ex II 2GD Ex db IIC Gb Ex eb IIC Gb Ex tb IIIC Db			
Marking Example *	BMD EBMC.. CE 0722  II 2GD Ex db IIC Gb Ex eb IIC Gb Ex tb IIIC Db		
	Ta-40°C to +80°C IP66/68 CESI 13 ATEX 018X IECEx CES 13.0006X		
Thread Type	<ul style="list-style-type: none"> • Metric (M) ISO Pitch 1,5 • NPT (N) ANSI ASME B1.20.1 • Other thread types also available upon request. 		
Cable Type	Non Armoured		
Accessories	<ul style="list-style-type: none"> • Lock nuts • Gaskets (Washers) • Serrated Washers • Earth tags 		
	<ul style="list-style-type: none"> • Accessories must be ordered separately. • O-ring available in Metric outer threads. 		
	Remarks		
	Approvals	Certificate Number	Standards
	IMQ 13 ATEX 018X	EN 60079-0:2012+A11:2013 EN 60079-7:2015 EN 60079-31:2014 EN 60079-1:2014	
	IECEX IMQ 13.0006X	IEC 60079-0:2011 Edition:6 IEC 60079-7:2015 Edition:5 IEC 60079-31:2013 Edition:2 IEC 60079-1:2014 Edition:7	
	№ TC RU C-TR.AA87.B.00941	ГОСТ 31610.0-2014 ГОСТ IEC 60079-1:2013 ГОСТ IEC 60079-31:2013	
	DNV 12.0052 X	ABNT NBR IEC 60079-0:2013 ABNT NBR IEC 60079-1:2009 ABNT NBR IEC 60079-7:2008 ABNT NBR IEC 60079-31:2011	
	E-14044	IEC/EN60079-0 IEC/EN60079-7 IEC/EN60079-31 IEC/EN60079-1 IEC/EN 62444	

-For more information see our webpage.

* The standard marking consists ATEX & IECEx only. Marking acc. to other standards on request.

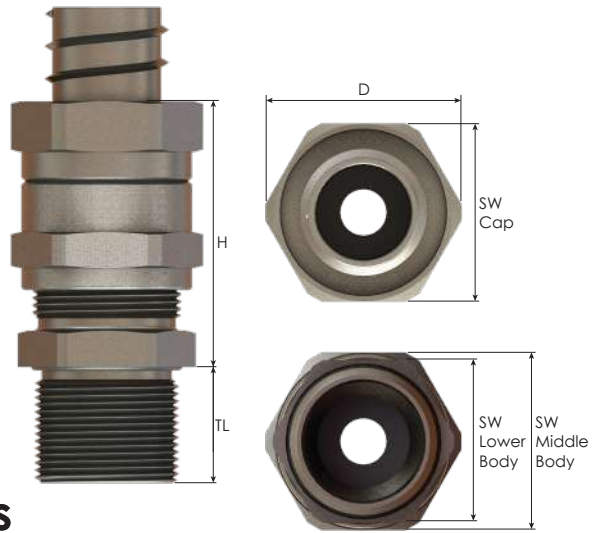


Order Coding								
Part Number	Material	Seal	-	Gasket (Washer)	Serrated Washer	Lock Nut	Earth Tag	for Ex e
See table	Mandatory	Mandatory	-	Option	Option	Option	Option	Option
	B Brass	C Chloroprene	-	WC Chloroprene	WSR Serrated washer	L Lock nut	E Earth tag	TL9
	BN Brass Nickel plated	S Silicone	-	WS Silicone				
	X Stainless steel 316L		-	WF Fiber				
Example								
EBMC1M	BN	S	-	WF	WSR	L	E	TL9

E-CORVUS

1 Function Ex d/e

Flexible Conduit Straight Fittings



Thread Type METRIC acc. to ISO 965-3

Outer Thread Size (Male)	For Seal/Title Nominal Size	Clamping Range		Outer Thread Length		Cap	Spanner Width		Outer Ø	max. Height	Part Number
		Ø min-max mm	Seal Type	Ex-e min.	Ex-d/e min.		Middle Body	Lower Body			
				TL mm		SW Cap mm	SW Middle Body mm	SW Lower Body mm	D mm	H mm	
M12x1,5	1/2"	4,0 - 8,0	Triple	9,0	16,0	24	24	22	26,5	43,0	*EBMC0SM
M16x1,5	3/8"	3,0 - 9,0	Double	9,0	16,0	20	20	20	22,0	39,0	EBMC01SM
	1/2"	4,0 - 12,0	Triple	9,0	16,0	24	24	22	26,5	43,0	EBMC01M
M20x1,5	3/8"	3,0 - 9,0	Double	9,0	16,0	20	20	22	24,5	39,0	EBMC1SM
	1/2"	4,0 - 12,0	Triple	9,0	16,0	24	24	22	26,5	39,0	EBMC1M
	3/4"	10,0 - 16,0	Triple	9,0	16,0	29	29	28	31,5	41,5	EBMC12M
M25x1,5	3/4"	10,0 - 18,0	Triple	9,0	16,0	29	29	28	31,5	42,0	EBMC2M
	1"	14,0 - 20,0	Triple	9,0	16,0	36	36	35	39,8	47,0	EBMC23M
M32x1,5	1"	14,0 - 24,0	Triple	9,0	16,0	36	36	35	39,8	46,0	EBMC3M
	1 1/4"	22,0 - 28,0	Triple	9,0	16,0	45	45	45	50,0	54,0	EBMC34M
M40x1,5	1 1/4"	22,0 - 32,0	Triple	9,0	18,0	45	45	45	50,0	54,0	EBMC4M
	1 1/2"	26,0 - 34,0	Triple	9,0	18,0	52	52	50	59,0	59,5	EBMC45M
M50x1,5	1 1/2"	26,0 - 35,0	Triple	9,0	18,0	52	52	55	61,0	59,5	EBMC5M
	2"	35,0 - 44,0	Triple	9,0	18,0	65	65	64	72,0	58,5	EBMC56M
M63x1,5	2"	35,0 - 45,0	Triple	9,0	18,0	65	65	68	75,0	58,5	EBMC6M
M75x1,5	2 1/2"	46,0 - 59,0	Triple	9,0	20,0	80	80	80	89,0	69,0	EBMC7M







Thread Type NPT acc. to ANSI ASME B1.20.1

Outer Thread Size (Male)	For Seal/Title Nominal Size	Clamping Range		Outer Thread Length		Cap	Spanner Width		Outer Ø	max. Height	Part Number
		Ø min-max mm	Seal Type	TL mm			Middle Body	Lower Body			
				TL mm		SW Cap mm	SW Middle Body mm	SW Lower Body mm	D mm	H mm	
NPT 1/4"	1/2"	4,0 - 8,0	Triple	16,0		24	24	22	26,5	43,0	*EBMC0SN
NPT 3/8"	3/8"	3,0 - 9,0	Double	16,0		20	20	20	22,0	39,0	EBMC01SN
	1/2"	4,0 - 12,0	Triple	16,0		24	24	22	26,5	43,0	EBMC01N
NPT 1/2"	3/8"	3,0 - 9,0	Double	16,0		20	20	22	24,5	39,0	EBMC1SN
	1/2"	4,0 - 12,0	Triple	16,0		24	24	22	26,5	39,0	EBMC1N
	3/4"	10,0 - 16,0	Triple	16,0		29	29	28	31,5	41,5	EBMC12N
NPT 3/4"	3/4"	10,0 - 18,0	Triple	16,0		29	29	28	31,5	41,5	EBMC2N
	1"	14,0 - 20,0	Triple	16,0		36	36	35	39,8	46,0	EBMC23N
NPT 1"	1"	14,0 - 24,0	Triple	20,0		36	36	35	39,8	46,0	EBMC3N
	1 1/4"	22,0 - 26,0	Triple	20,0		45	45	45	50,0	53,5	EBMC34N
NPT 1 1/4"	1 1/4"	22,0 - 32,0	Triple	20,0		45	45	45	50,0	54,0	EBMC4N
	1 1/2"	26,0 - 34,0	Triple	20,0		52	52	50	59,0	59,5	EBMC45N
NPT 1 1/2"	1 1/2"	26,0 - 35,0	Triple	20,0		52	52	55	61,0	59,5	EBMC5N
	2"	35,0 - 41,0	Triple	20,0		65	65	64	72,0	56,5	EBMC56N
NPT 2"	2"	35,0 - 45,0	Triple	20,0		65	65	68	75,0	58,5	EBMC6N
NPT 2 1/2"	2 1/2"	46,0 - 59,0	Triple	21,0		80	80	80	89,0	69,0	EBMC7N

Rigid Conduit Fittings for Ex d/e applications

E-CYGNUS



Technical Details		
Material	Body	Brass, Brass Nickel Plated, Stainless Steel 316L, Aluminium
	Inner Parts	Stainless Steel 316L
	Seal	CR (Chloroprene), Silicone
	O-ring	CR (Chloroprene), Silicone
Ingress Protection Rating	IP 68 - 5 Bar, 30 min IP 66	
Operating Temperature	Seal Material	
	CR (Chloroprene)	Silicone
	Ex d/tb	-40°C to +80°C
	Ex e/tb	-40°C to +80°C
Equipment For	Gas & Dust potentially explosive atmospheres	
Suitable for use in	Group II	Gas Group IIC ZONE1/ZONE2
	Group III	Dust Group IIIC ZONE21/ZONE 22
Equipment Marking	Ex II 2GD	
	Ex db IIC Gb Ex eb IIC Gb Ex tb IIIC Db	
Marking Example *	BMD EBMS., CE 0722  II 2GD Ex db IIC Gb Ex eb IIC Gb Ex tb IIIC Db Ta-40°C to +80°C IP66/68 IMQ 13 ATEX 018X IECEx IMQ 13.0006X	
Thread Type	• Metric (M) ISO Pitch 1,5	
	• NPT (N) ANSI ASME B1.20.1	
	• Other thread types also available upon request.	
	Non Armoured	
Accessories	• Lock nuts	
	• Gaskets (Washers)	
	• Serrated Washers	
	• Earth tags	
Remarks	• Accessories must be ordered separately. • O-ring only available when male thread is Metric.	
Approvals		
	Certificate Number	Standards
	IMQ 13 ATEX 018X	EN 60079-0:2012+A11:2013 EN 60079-7:2015 EN 60079-31:2014 EN 60079-1:2014
	IECEx IMQ 13.0006X	IEC 60079-0:2011 Edition:6 IEC 60079-7:2015 Edition:5 IEC 60079-31:2013 Edition:2 IEC 60079-1:2014 Edition:7
	№ TC RU C-TR.AA87.B.00941	ГОСТ 31610.0-2014 ГОСТ IEC 60079-1:2013 ГОСТ IEC 60079-31:2013
	DNV 12.0052 X	ABNT NBR IEC 60079-0:2013 ABNT NBR IEC 60079-1:2009 ABNT NBR IEC 60079-7:2008 ABNT NBR IEC 60079-31:2011
	E-14044	IEC/EN60079-0 IEC/EN60079-7 IEC/EN60079-31 IEC/EN60079-1 IEC/EN 62444

-For more information see our webpage.

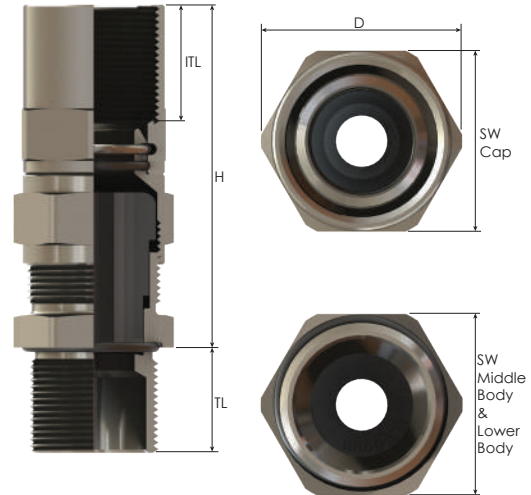
* The standard marking consists ATEX & IECEx only. Marking acc. to other standards on request.



Order Coding								
Part Number	Material	Seal	-	Gasket (Washer)	Serrated Washer	Lock Nut	Earth Tag	for Ex e
Mandatory	Mandatory	Mandatory	-	Option	Option	Option	Option	Option
See table	B Brass BN Brass Nickel plated X Stainless steel 316L A Aluminium	C Chloroprene S Silicone	-	WC Chloroprene WS Silicone WF Fiber	WSR Serrated washer	L Lock nut	E Earth tag	TL9
Example								
EBMS23M12N	BN	S	-	WC	WSR	L	E	TL9

E-CYGNUS

Rigid Conduit Swivel Fittings for Ex d/e applications









Thread Type **METRIC** acc. to ISO 965-3 > **NPT** acc. to ANSI ASME B1.20.1

Outer Thread Size (Male)	Inner Thread Size (Female)	Clamping Range		Outer Thread Length		Inner Thread Length	Spanner Width			Outer Ø	max. Height	Part Number
				Ex-e min.	Ex-d/e min.		Cap	Upper Body	Lower Body			
		Ø min-max mm	Seal Type	TL mm	ITL mm	SW Cap mm	SW Upper Body mm	SW Lower Body mm	D mm	H mm		
M16x1,5	NPT 3/8"	4,0 - 12,0	Triple	9,0	16,0	16,0	27	27	22	30,0	56,5	EBMS01M01N
	NPT 1/2"	4,0 - 12,0	Triple	9,0	16,0	16,0	27	27	22	30,0	56,0	EBMS01M12N
M20x1,5	NPT 3/8"	4,0 - 12,0	Triple	9,0	16,0	16,0	27	27	22	30,0	52,0	EBMS12M01N
	NPT 1/2"	4,0 - 12,0	Triple	9,0	16,0	16,0	27	27	22	30,0	52,0	EBMS1M1N
	NPT 3/4"	10,0 - 16,0	Triple	9,0	16,0	16,0	32	32	28	35,5	52,5	EBMS12M12N
	NPT 1"	10,0 - 16,0	Triple	9,0	16,0	16,0	32	32	28	35,5	56,5	EBMS12M23N
M25x1,5	NPT 1/2"	10,0 - 16,0	Triple	9,0	16,0	16,0	32	32	28	35,5	55,0	EBMS23M12N
	NPT 3/4"	10,0 - 18,0	Triple	9,0	16,0	16,0	32	32	28	35,5	57,0	EBMS2M2N
	NPT 3/4"	14,0 - 20,0	Triple	9,0	16,0	16,0	40	40	35	44,5	59,5	EBMS23M23N
	NPT 1"	14,0 - 20,0	Triple	9,0	16,0	20,0	40	40	35	44,5	65,0	EBMS23M34N
M32x1,5	NPT 3/4"	14,0 - 20,0	Triple	9,0	16,0	16,0	40	40	35	44,5	58,5	EBMS34M23N
	NPT 1"	14,0 - 24,0	Triple	9,0	16,0	20,0	40	40	35	44,5	64,0	EBMS3M3N
	NPT 1"	22,0 - 28,0	Triple	9,0	16,0	20,0	48	45	45	53,3	68,5	EBMS34M34N
	NPT 1 1/4"	22,0 - 28,0	Triple	9,0	16,0	20,0	48	45	45	53,3	68,5	EBMS34M45N
M40x1,5	NPT 1"	22,0 - 26,0	Triple	9,0	18,0	20,0	48	45	45	53,3	69,0	EBMS45M34N
	NPT 1 1/4"	22,0 - 32,0	Triple	9,0	18,0	20,0	48	45	45	53,3	69,0	EBMS4M4N
	NPT 1 1/4"	26,0 - 34,0	Triple	9,0	18,0	20,0	55	55	50	61,0	76,0	EBMS45M45N
	NPT 1 1/2"	26,0 - 34,0	Triple	9,0	18,0	20,0	55	55	50	61,0	76,0	EBMS45M56N
M50x1,5	NPT 1 1/4"	26,0 - 34,0	Triple	9,0	18,0	20,0	55	55	55	61,0	76,0	EBMS56M45N
	NPT 1 1/2"	26,0 - 35,0	Triple	9,0	18,0	20,0	55	55	55	61,0	76,0	EBMS5M5N
	NPT 1 1/2"	35,0 - 44,0	Triple	9,0	18,0	20,0	64	64	64	70,0	75,5	EBMS56M56N
	NPT 2"	35,0 - 44,0	Triple	9,0	18,0	20,0	80	80	64	89,0	85,5	EBMS56M67N
M63x1,5	NPT 1 1/2"	35,0 - 41,0	Triple	9,0	18,0	20,0	64	64	68	75,0	75,5	EBMS67M56N
	NPT 2"	35,0 - 45,0	Triple	9,0	18,0	20,0	64	64	68	75,0	77,0	EBMS6M6N
	NPT 2"	46,0 - 56,0	Triple	9,0	18,0	20,0	80	80	75	89,0	85,5	EBMS67M67N
	NPT 2 1/2"	46,0 - 56,0	Triple	9,0	18,0	21,0	95	95	75	105,0	90,0	EBMS67M78N
M75x1,5	NPT 2"	46,0 - 52,0	Triple	9,0	20,0	20,0	80	80	80	89,0	85,5	EBMS78M67N
	NPT 2 1/2"	46,0 - 62,0	Triple	9,0	20,0	21,0	80	80	80	89,0	86,5	EBMS7M7N
	NPT 2 1/2"	60,0 - 69,0	Triple	9,0	20,0	21,0	95	95	95	105,0	90,0	EBMS78M78N
	NPT 3"	60,0 - 69,0	Triple	9,0	20,0	21,0	105	105	95	117,0	90,0	EBMS78M810N
M90x1,5	NPT 2 1/2"	60,0 - 64,0	Triple	9,0	20,0	21,0	95	95	95	105,0	90,0	EBMS810M78N
	NPT 3"	60,0 - 75,0	Triple	9,0	20,0	21,0	95	95	95	105,0	90,0	EBMS8M8N
	NPT 3"	75,0 - 82,0	Triple	9,0	20,0	21,0	105	105	105	117,0	90,0	EBMS810M810N
	NPT 4"	75,0 - 82,0	Triple	9,0	20,0	21,0	115	115	105	128,0	90,0	EBMS810M10N
M100x1,5	NPT 3"	75,0 - 85,0	Triple	9,0	20,0	21,0	105	105	105	117,0	90,0	EBMS10M810N
	NPT 4"	75,0 - 85,0	Triple	9,0	20,0	21,0	115	115	105	128,0	90,0	EBMS10M11N
M110x1,5	NPT 4"	85,0 - 95,0	Triple	9,0	20,0	21,0	115	115	115	128,0	91,0	EBMS11M11N

Rigid Conduit Fittings for Ex d/e applications

E-CYGNUS



Technical Details		
Material	Body	Brass, Brass Nickel Plated, Stainless Steel 316L, Aluminium
	Inner Parts	Stainless Steel 316L
	Seal	CR (Chloroprene), Silicone
	O-ring	CR (Chloroprene), Silicone
Ingress Protection Rating	IP 68 - 5 Bar, 30 min IP 66	
Operating Temperature	Seal Material	
	CR (Chloroprene)	Silicone
	Ex d/tb	-40°C to +80°C
Ex e/tb	-40°C to +80°C	-60°C to +140°C
Equipment For	Gas & Dust potentially explosive atmospheres	
Suitable for use in	Group II	Gas Group IIC ZONE1/ZONE2
	Group III	Dust Group IIIC ZONE21/ZONE 22
Equipment Marking	Ex II 2GD Ex db IIC Gb Ex eb IIC Gb Ex tb IIIC Db	
Marking Example *	BMD EBMS., CE 0722  II 2GD Ex db IIC Gb Ex eb IIC Gb Ex tb IIIC Db Ta-40°C to +80°C IP66/68 IMQ 13 ATEX 018X IECEx IMQ 13.0006X	
Thread Type	<ul style="list-style-type: none"> • Metric (M) ISO Pitch 1,5 • NPT (N) ANSI ASME B1.20.1 • Other thread types also available upon request. 	
Cable Type	Non Armoured	
Accessories	<ul style="list-style-type: none"> • Lock nuts • Gaskets (Washers) • Serrated Washers • Earth tags 	
Remarks	<ul style="list-style-type: none"> • Accessories must be ordered separately. • O-ring only available when male thread is Metric. 	
Approvals	Certificate Number	Standards
	IMQ 13 ATEX 018X	EN 60079-0:2012+A11:2013 EN 60079-7:2015 EN 60079-31:2014 EN 60079-1:2014
	IECEx IMQ 13.0006X	IEC 60079-0:2011 Edition:6 IEC 60079-7:2015 Edition:5 IEC 60079-31:2013 Edition:2 IEC 60079-1:2014 Edition:7
	Nº TC RU C-TR.AA87.B.00941	ГОСТ 31610.0-2014 ГОСТ IEC 60079-1:2013 ГОСТ IEC 60079-31:2013
	DNV 12.0052 X	ABNT NBR IEC 60079-0:2013 ABNT NBR IEC 60079-1:2009 ABNT NBR IEC 60079-7:2008 ABNT NBR IEC 60079-31:2011
	E-14044	IEC/EN60079-0 IEC/EN60079-7 IEC/EN60079-31 IEC/EN60079-1 IEC/EN 62444

-For more information see our webpage.

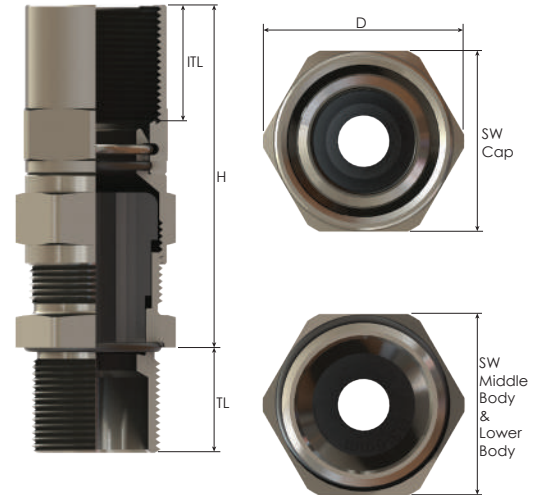
* The standard marking consists ATEX & IECEx only. Marking acc. to other standards on request.



Order Coding								
Part Number	Material	Seal	- Gasket (Washer)	Serrated Washer	Lock Nut	Earth Tag	for Ex e	
Mandatory	Mandatory	Mandatory	- Option	Option	Option	Option	Option	Option
See table	B Brass BN Brass Nickel plated X Stainless steel 316L A Aluminium	C Chloroprene S Silicone	- WC Chloroprene WS Silicone WF Fiber	WSR Serrated washer	L Lock nut	E Earth tag	TL9	
Example								
EBMS23M12N	BN	S	- WC	WSR	L	E	TL9	

E-CYGNUS

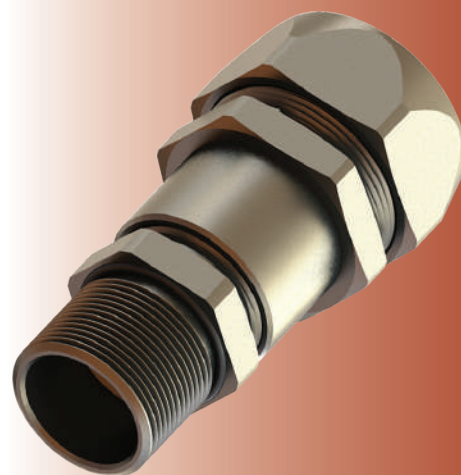
Rigid Conduit Swivel Fittings for Ex d/e applications



Thread Type NPT acc. to ANSI ASME B1.20.1											
Outer Thread Size (Male)	Inner Thread Size (Female)	Clamping Range		Outer Thread Length	Inner Thread Length	Cap	Spanner Width		Outer Ø	max. Height	Part Number
		Ø min-max mm	Seal Type				TL mm	ITL mm			
NPT 3/8"	NPT 3/8"	4,0 - 12,0	Triple	16,0	16,0	27	27	22	30,0	56,5	EBMS01N01N
	NPT 1/2"	4,0 - 12,0	Triple	16,0	16,0	27	27	22	30,0	56,0	EBMS01N12N
NPT 1/2"	NPT 3/8"	4,0 - 12,0	Triple	16,0	16,0	27	27	22	30,0	52,0	EBMS12N01N
	NPT 1/2"K	4,0 - 12,0	Triple	16,0	16,0	27	27	22	30,0	52,0	EBMS1N1N
	NPT 1/2"	10,0 - 16,0	Triple	16,0	16,0	32	32	28	35,5	54,5	EBMS12N12N
	NPT 3/4"	10,0 - 16,0	Triple	16,0	16,0	32	32	28	35,5	56,5	EBMS12N23N
NPT 3/4"	NPT 1/2"	10,0 - 16,0	Triple	16,0	16,0	32	32	28	35,5	54,5	EBMS23N12N
	NPT 3/4"K	10,0 - 18,0	Triple	16,0	16,0	32	32	28	35,5	56,5	EBMS2N2N
	NPT 3/4"	14,0 - 20,0	Triple	16,0	16,0	40	40	35	44,5	58,5	EBMS23N23N
	NPT 1"	14,0 - 20,0	Triple	16,0	20,0	40	40	35	44,5	64,5	EBMS23N34N
NPT 1"	NPT 3/4"	14,0 - 20,0	Triple	20,0	16,0	40	40	35	44,5	58,5	EBMS34N23N
	NPT 1"	14,0 - 24,0	Triple	20,0	20,0	40	40	35	44,5	64,0	EBMS3N3N
	NPT 1"	22,0 - 26,0	Triple	20,0	20,0	48	45	45	53,3	68,0	EBMS34N34N
	NPT 1 1/4"	22,0 - 26,0	Triple	20,0	20,0	48	45	45	53,3	68,0	EBMS34N45N
NPT 1 1/4"	NPT 1"	22,0 - 26,0	Triple	20,0	20,0	48	45	45	53,3	69,0	EBMS45N34N
	NPT 1 1/4"K	22,0 - 32,0	Triple	20,0	20,0	48	45	45	53,3	69,0	EBMS4N4N
	NPT 1 1/4"	26,0 - 34,0	Triple	20,0	20,0	55	55	55	61,0	76,0	EBMS45N45N
	NPT 1 1/2"	26,0 - 34,0	Triple	20,0	20,0	55	55	55	61,0	76,0	EBMS45N56N
NPT 1 1/2"	NPT 1 1/4"	26,0 - 34,0	Triple	20,0	20,0	55	55	55	61,0	76,0	EBMS56N45N
	NPT 1 1/2"K	26,0 - 35,0	Triple	20,0	20,0	55	55	55	61,0	76,0	EBMS5N5N
	NPT 1 1/2"	35,0 - 41,0	Triple	20,0	20,0	64	64	64	70,0	75,5	EBMS56N56N
	NPT 2"	35,0 - 41,0	Triple	20,0	20,0	80	80	64	89,0	85,5	EBMS56N67N
NPT 2"	NPT 1 1/2"	35,0 - 41,0	Triple	20,0	20,0	64	64	68	75,0	75,5	EBMS67N56N
	NPT 2"K	35,0 - 45,0	Triple	20,0	20,0	64	64	68	75,0	77,0	EBMS6N6N
	NPT 2"	46,0 - 52,0	Triple	20,0	20,0	80	80	75	89,0	85,5	EBMS67N67N
	NPT 2 1/2"	46,0 - 52,0	Triple	20,0	21,0	95	95	75	105,0	90,0	EBMS67N78N
NPT 2 1/2"	NPT 2"	46,0 - 52,0	Triple	21,0	20,0	80	80	80	89,0	85,5	EBMS78N67N
	NPT 2 1/2"K	46,0 - 62,0	Triple	21,0	21,0	80	80	80	89,0	86,5	EBMS7N7N
	NPT 2 1/2"	60,0 - 64,0	Triple	21,0	21,0	95	95	95	105,0	90,0	EBMS78N78N
	NPT 3"	60,0 - 64,0	Triple	21,0	21,0	105	105	95	117,0	90,0	EBMS78N810N
NPT 3"	NPT 2 1/2"	60,0 - 64,0	Triple	21,0	21,0	95	95	95	105,0	90,0	EBMS810N78N
	NPT 3"K	60,0 - 75,0	Triple	21,0	21,0	95	95	95	105,0	90,0	EBMS8N8N
	NPT 3"	75,0 - 79,5	Triple	21,0	21,0	105	105	105	117,0	90,0	EBMS810N810N
	NPT 4"K	75,0 - 79,5	Triple	21,0	21,0	115	115	105	128,0	90,0	EBMS810N10N
NPT 4"	NPT 3"	75,0 - 79,5	Triple	21,0	21,0	105	105	115	128,0	90,0	EBMS11N810N
	NPT 4"K	75,0 - 85,0	Triple	21,0	21,0	115	115	115	128,0	90,0	EBMS10N10N
	NPT 4"	85,0 - 95,0	Triple	21,0	21,0	115	115	115	128,0	91,0	EBMS11N11N

Fittings for Flexible Conduits for Non-armoured Cables

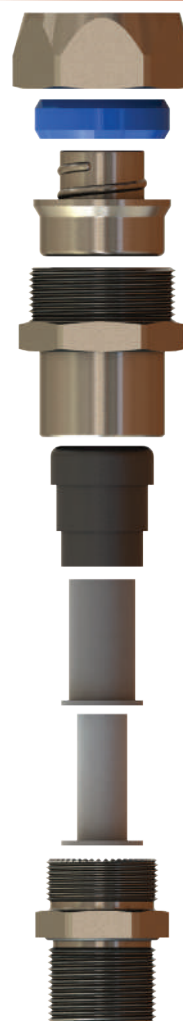
E-HYDRUS



Technical Details		
Body, Cap	Brass, Brass Nickel Plated, Stainless Steel 316L	
Seal	CR (Chloroprene), Silicone	
Material	Ferrule Steel Zinc Plated, Brass Nickel Plated	
	Plastic Ring Polyamide	
	O-ring CR (Chloroprene), Silicone	
Ingress Protection Rating	IP 68 - 5 Bar, 30 min IP 66	
Operating Temperature	Seal Material	
	CR (Chloroprene)	
Ex d/tb	-40°C to +80°C	Silicone
Ex e/tb	-40°C to +80°C	-60°C to +80°C
	-40°C to +80°C	-60°C to +140°C
Equipment For	Gas & Dust potentially explosive atmospheres	
Suitable for use in	Group II Gas Group IIC ZONE1/ZONE2 Group III Dust Group IIC ZONE21/ZONE 22	
Equipment Marking	Ex II 2GD Ex db IIC Gb Ex eb IIC Gb Ex tb IIC Db	
Marking Example *	BMD EBLs.. CE 0722 II 2GD Ex db IIC Gb Ex eb IIC Gb Ex tb IIC Db Ta-40°C +80°C IP66/68 CESI 13 ATEX 018X IECEx CES 13.0006X	
Thread Type	<ul style="list-style-type: none"> • Metric (M) ISO Pitch 1,5 • NPT (N) ANSI ASME B1.20.1 • Other thread types also available upon request. 	
Cable Type	Non Armoured	
Accessories	<ul style="list-style-type: none"> • Lock nuts • Gaskets (Washers) • Serrated Washers • Earth tags 	
Remarks	<ul style="list-style-type: none"> • Accessories must be ordered separately. • O-ring available in Metric outer threads. 	
Approvals	Certificate Number	Standards
	IMQ 13 ATEX 018X	EN 60079-0:2012+A11:2013 EN 60079-7:2015 EN 60079-31:2014 EN 60079-1:2014
	IECEx IMQ 13.0006X	IEC 60079-0:2011 Edition:6 IEC 60079-7:2015 Edition:5 IEC 60079-31:2013 Edition:2 IEC 60079-1:2014 Edition:7
	№ TC RU C-TR.AA87.B.00941	ГОСТ 31610.0-2014 ГОСТ IEC 60079-1:2013 ГОСТ IEC 60079-31:2013
	DNV 12.0052 X	ABNT NBR IEC 60079-0:2013 ABNT NBR IEC 60079-1:2009 ABNT NBR IEC 60079-7:2008 ABNT NBR IEC 60079-31:2011
	E-14044	IEC/EN60079-0 IEC/EN60079-7 IEC/EN60079-31 IEC/EN60079-1 IEC/EN 62444

-For more information see our webpage.

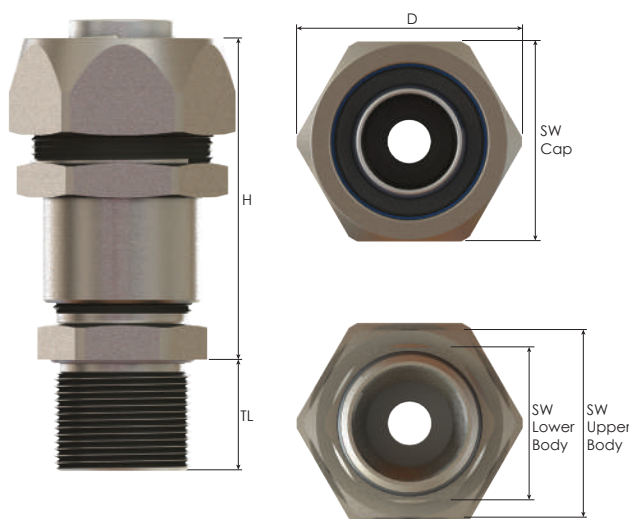
* The standard marking consists ATEX & IECEx only. Marking acc. to other standards on request.



Order Coding							
Part Number	Material	Seal	Gasket (Washer)	Serrated Washer	Lock Nut	Earth Tag	for Ex e
See table	Mandatory	Mandatory	- Option	Option	Option	Option	Option
B	Brass	C Chloroprene	- WC Chloroprene	WSR Serrated washer	L Lock nut	E Earth tag	TL9
BN	Brass Nickel plated	S Silicone	WS Silicone				
X	Stainless steel 316L		WF Fiber				
Example							
EBLS01M	BN	S	- WC	-	L	E	TL9

E-HYDRUS

Fittings for Flexible Conduits for Non-armoured Cables



Thread Type **METRIC** acc. to ISO 965-3

Outer Thread Size (Male)	For Seal/Title Nominal Size	Clamping Range		Outer Thread Length		Cap	Spanner Width		Outer Ø	max. Height	Part Number
		Ø min-max mm	Seal Type	Ex - e min.	Ex-d/e min.		Upper Body	Lower Body			
				TL mm		SW Cap mm	SW Upper Body mm	SW Lower Body mm	D mm	H mm	
M12x1,5	1/2 "	4,0 - 8,0	Triple	9,0	16,0	29	27	22	32,7	57,0	*EBLS02M
M16x1,5	1/2 "	4,0 - 12,0	Triple	9,0	16,0	29	27	22	32,7	57,0	EBLS01M
M20x1,5	3/8 "	4,0 - 10,0	Triple	9,0	16,0	26	24	22	29,0	50,5	EBLS1SM
	1/2 "	4,0 - 12,0	Triple	9,0	16,0	29	27	22	32,7	53,0	EBLS1M
M25x1,5	3/4 "	10,0 - 18,0	Triple	9,0	16,0	35	33	28	39,0	56,0	EBLS2M
M32x1,5	1 "	14,0 - 24,0	Triple	9,0	16,0	45	43	35	50,0	64,0	EBLS3M
M40x1,5	1 1/4 "	22,0 - 32,0	Triple	9,0	18,0	54	52	45	60,0	75,0	EBLS4M
M50x1,5	1 1/2 "	26,0 - 35,0	Triple	9,0	18,0	63	60	55	69,3	81,5	EBLS5M

Thread Type **NPT** acc. to ANSI ASME B1.20.1

Outer Thread Size (Male)	For Seal/Title Nominal Size	Clamping Range		Outer Thread Length		Cap	Spanner Width		Outer Ø	max. Height	Part Number
		Ø min-max mm	Seal Type	TL mm			Upper Body	Lower Body			
				TL mm		SW Cap mm	SW Upper Body mm	SW Lower Body mm	D mm	H mm	
NPT 1/4"	1/2 "	4,0 - 8,0	Triple	16,0		29	27	22	32,7	57,0	*EBLS02N
NPT 3/8"	1/2 "	4,0 - 12,0	Triple	16,0		29	27	22	32,7	57,0	EBLS01N
NPT 1/2"	3/8 "	4,0 - 10,0	Triple	16,0		26	24	22	29,0	50,5	EBLS1SN
	1/2 "	4,0 - 12,0	Triple	16,0		29	27	22	32,7	53,0	EBLS1N
NPT 3/4"	3/4 "	10,0 - 18,0	Triple	16,0		35	33	28	39,0	55,5	EBLS2N
NPT 1"	1 "	14,0 - 24,0	Triple	20,0		45	43	35	50,0	64,0	EBLS3N
NPT 1 1/4"	1 1/4 "	22,0 - 32,0	Triple	20,0		54	52	45	60,0	75,0	EBLS4N
NPT 1 1/2"	1 1/2 "	26,0 - 35,0	Triple	20,0		63	60	55	69,3	81,5	EBLS5N

Rigid Conduit Fittings for Ex d/e applications

E-CYGNUS



Technical Details		
Material	Body	Brass, Brass Nickel Plated, Stainless Steel 316L, Aluminium
	Inner Parts	Stainless Steel 316L
	Seal	CR (Chloroprene), Silicone
	O-ring	CR (Chloroprene), Silicone
Ingress Protection Rating	IP 68 - 5 Bar, 30 min IP 66	
Operating Temperature	Seal Material	
	CR (Chloroprene)	Silicone
	Ex d/tb	-40°C to +80°C
Ex e/tb	-40°C to +80°C	
Equipment For	Gas & Dust potentially explosive atmospheres	
Suitable for use in	Group II	Gas Group IIC ZONE1/ZONE2
	Group III	Dust Group IIIC ZONE21/ZONE 22
Equipment Marking	Ex II 2GD Ex db IIC Gb Ex eb IIC Gb Ex tb IIIC Db	
Marking Example *	BMD EBMS., CE 0722 II 2GD Ex db IIC Gb Ex eb IIC Gb Ex tb IIIC Db Ta-40°C to +80°C IP66/68 IMQ 13 ATEX 018X IECEx IMQ 13.0006X	
Thread Type	<ul style="list-style-type: none"> • Metric (M) ISO Pitch 1,5 • NPT (N) ANSI ASME B1.20.1 • Other thread types also available upon request. 	
Cable Type	Non Armoured	
Accessories	<ul style="list-style-type: none"> • Lock nuts • Gaskets (Washers) • Serrated Washers • Earth tags 	
Remarks	<ul style="list-style-type: none"> • Accessories must be ordered separately. • O-ring only available when male thread is Metric. 	
Approvals	Certificate Number	Standards
	IMQ 13 ATEX 018X	EN 60079-0:2012+A11:2013 EN 60079-7:2015 EN 60079-31:2014 EN 60079-1:2014
	IECEx IMQ 13.0006X	IEC 60079-0:2011 Edition:6 IEC 60079-7:2015 Edition:5 IEC 60079-31:2013 Edition:2 IEC 60079-1:2014 Edition:7
	№ TC RU C-TR.AA87.B.00941	ГОСТ 31610.0-2014 ГОСТ IEC 60079-1:2013 ГОСТ IEC 60079-31:2013
	DNV 12.0052 X	ABNT NBR IEC 60079-0:2013 ABNT NBR IEC 60079-1:2009 ABNT NBR IEC 60079-7:2008 ABNT NBR IEC 60079-31:2011
	E-14044	IEC/EN60079-0 IEC/EN60079-7 IEC/EN60079-31 IEC/EN60079-1 IEC/EN 62444

-For more information see our webpage.

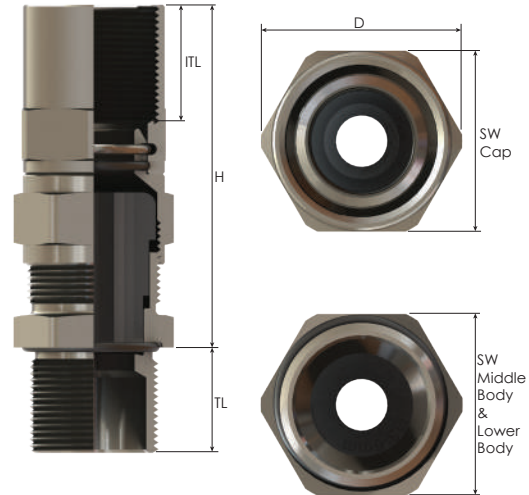
* The standard marking consists ATEX & IECEx only. Marking acc. to other standards on request.



Order Coding								
Part Number	Material	Seal	-	Gasket (Washer)	Serrated Washer	Lock Nut	Earth Tag	for Ex e
Mandatory	Mandatory	Mandatory	-	Option	Option	Option	Option	Option
See table	B Brass BN Brass Nickel plated X Stainless steel 316L A Aluminium	C Chloroprene S Silicone	-	WC Chloroprene WS Silicone WF Fiber	WSR Serrated washer	L Lock nut	E Earth tag	TL9
Example								
EBMS23M12N	BN	S	-	WC	WSR	L	E	TL9

E-CYGNUS

Rigid Conduit Swivel Fittings for Ex d/e applications



Thread Type **METRIC** acc. to ISO 965-3 > **NPT** acc. to ANSI ASME B1.20.1

Outer Thread Size (Male)	Inner Thread Size (Female)	Clamping Range		Outer Thread Length		Inner Thread Length	Spanner Width			Outer Ø	max. Height	Part Number
				Ex-e min.	Ex-d/e min.		Cap	Upper Body	Lower Body			
		Ø min-max mm	Seal Type	TL mm	ITL mm	SW Cap mm	SW Upper Body mm	SW Lower Body mm	D mm	H mm		
M16x1,5	NPT 3/8"	4,0 - 12,0	Triple	9,0	16,0	16,0	27	27	22	30,0	56,5	EBMS01M01N
	NPT 1/2"	4,0 - 12,0	Triple	9,0	16,0	16,0	27	27	22	30,0	56,0	EBMS01M12N
M20x1,5	NPT 3/8"	4,0 - 12,0	Triple	9,0	16,0	16,0	27	27	22	30,0	52,0	EBMS12M01N
	NPT 1/2"	4,0 - 12,0	Triple	9,0	16,0	16,0	27	27	22	30,0	52,0	EBMS1M1N
	NPT 3/4"	10,0 - 16,0	Triple	9,0	16,0	16,0	32	32	28	35,5	52,5	EBMS12M12N
	NPT 3/4"	10,0 - 16,0	Triple	9,0	16,0	16,0	32	32	28	35,5	56,5	EBMS12M23N
M25x1,5	NPT 1/2"	10,0 - 16,0	Triple	9,0	16,0	16,0	32	32	28	35,5	55,0	EBMS23M12N
	NPT 3/4"	10,0 - 18,0	Triple	9,0	16,0	16,0	32	32	28	35,5	57,0	EBMS2M2N
	NPT 3/4"	14,0 - 20,0	Triple	9,0	16,0	16,0	40	40	35	44,5	59,5	EBMS23M23N
	NPT 1"	14,0 - 20,0	Triple	9,0	16,0	20,0	40	40	35	44,5	65,0	EBMS23M34N
M32x1,5	NPT 3/4"	14,0 - 20,0	Triple	9,0	16,0	16,0	40	40	35	44,5	58,5	EBMS34M23N
	NPT 1"	14,0 - 24,0	Triple	9,0	16,0	20,0	40	40	35	44,5	64,0	EBMS3M3N
	NPT 1"	22,0 - 28,0	Triple	9,0	16,0	20,0	48	45	45	53,3	68,5	EBMS34M34N
	NPT 1 1/4"	22,0 - 28,0	Triple	9,0	16,0	20,0	48	45	45	53,3	68,5	EBMS34M45N
M40x1,5	NPT 1"	22,0 - 26,0	Triple	9,0	18,0	20,0	48	45	45	53,3	69,0	EBMS45M34N
	NPT 1 1/4"	22,0 - 32,0	Triple	9,0	18,0	20,0	48	45	45	53,3	69,0	EBMS4M4N
	NPT 1 1/4"	26,0 - 34,0	Triple	9,0	18,0	20,0	55	55	50	61,0	76,0	EBMS45M45N
	NPT 1 1/2"	26,0 - 34,0	Triple	9,0	18,0	20,0	55	55	50	61,0	76,0	EBMS45M56N
M50x1,5	NPT 1 1/4"	26,0 - 34,0	Triple	9,0	18,0	20,0	55	55	55	61,0	76,0	EBMS56M45N
	NPT 1 1/2"	26,0 - 35,0	Triple	9,0	18,0	20,0	55	55	55	61,0	76,0	EBMS5M5N
	NPT 1 1/2"	35,0 - 44,0	Triple	9,0	18,0	20,0	64	64	64	70,0	75,5	EBMS56M56N
	NPT 2"	35,0 - 44,0	Triple	9,0	18,0	20,0	80	80	64	89,0	85,5	EBMS56M67N
M63x1,5	NPT 1 1/2"	35,0 - 41,0	Triple	9,0	18,0	20,0	64	64	68	75,0	75,5	EBMS67M56N
	NPT 2"	35,0 - 45,0	Triple	9,0	18,0	20,0	64	64	68	75,0	77,0	EBMS6M6N
	NPT 2"	46,0 - 56,0	Triple	9,0	18,0	20,0	80	80	75	89,0	85,5	EBMS67M67N
	NPT 2 1/2"	46,0 - 56,0	Triple	9,0	18,0	21,0	95	95	75	105,0	90,0	EBMS67M78N
M75x1,5	NPT 2"	46,0 - 52,0	Triple	9,0	20,0	20,0	80	80	80	89,0	85,5	EBMS78M67N
	NPT 2 1/2"	46,0 - 62,0	Triple	9,0	20,0	21,0	80	80	80	89,0	86,5	EBMS7M7N
	NPT 2 1/2"	60,0 - 69,0	Triple	9,0	20,0	21,0	95	95	95	105,0	90,0	EBMS78M78N
	NPT 3"	60,0 - 69,0	Triple	9,0	20,0	21,0	105	105	95	117,0	90,0	EBMS78M810N
M90x1,5	NPT 2 1/2"	60,0 - 64,0	Triple	9,0	20,0	21,0	95	95	95	105,0	90,0	EBMS810M78N
	NPT 3"	60,0 - 75,0	Triple	9,0	20,0	21,0	95	95	95	105,0	90,0	EBMS8M8N
	NPT 3"	75,0 - 82,0	Triple	9,0	20,0	21,0	105	105	105	117,0	90,0	EBMS810M810N
	NPT 4"	75,0 - 82,0	Triple	9,0	20,0	21,0	115	115	105	128,0	90,0	EBMS810M10N
M100x1,5	NPT 3"	75,0 - 85,0	Triple	9,0	20,0	21,0	105	105	105	117,0	90,0	EBMS10M810N
	NPT 4"	75,0 - 85,0	Triple	9,0	20,0	21,0	115	115	105	128,0	90,0	EBMS10M11N
M110x1,5	NPT 4"	85,0 - 95,0	Triple	9,0	20,0	21,0	115	115	115	128,0	91,0	EBMS11M11N

Rigid Conduit Fittings for Ex d/e applications

E-CYGNUS



Technical Details		
Material	Body	Brass, Brass Nickel Plated, Stainless Steel 316L, Aluminium
	Inner Parts	Stainless Steel 316L
	Seal	CR (Chloroprene), Silicone
	O-ring	CR (Chloroprene), Silicone
Ingress Protection Rating	IP 68 - 5 Bar, 30 min IP 66	
Operating Temperature	Seal Material	
	CR (Chloroprene)	Silicone
	Ex d/tb	-40°C to +80°C
Ex e/tb	-40°C to +80°C	-60°C to +140°C
Equipment For	Gas & Dust potentially explosive atmospheres	
Suitable for use in	Group II	Gas Group IIC ZONE1/ZONE2
	Group III	Dust Group IIIC ZONE21/ZONE 22
Equipment Marking	Ex II 2GD Ex db IIC Gb Ex eb IIC Gb Ex tb IIIC Db	
Marking Example *	BMD EBMS.. CE 0722 II 2GD Ex db IIC Gb Ex eb IIC Gb Ex tb IIIC Db Ta-40°C to +80°C IP66/68 IMQ 13 ATEX 018X IECEx IMQ 13.0006X	
Thread Type	<ul style="list-style-type: none"> • Metric (M) ISO Pitch 1,5 • NPT (N) ANSI ASME B1.20.1 • Other thread types also available upon request. 	
Cable Type	Non Armoured	
Accessories	<ul style="list-style-type: none"> • Lock nuts • Gaskets (Washers) • Serrated Washers • Earth tags 	
Remarks	<ul style="list-style-type: none"> • Accessories must be ordered separately. • O-ring only available when male thread is Metric. 	
Approvals	Certificate Number	Standards
	IMQ 13 ATEX 018X	EN 60079-0:2012+A11:2013 EN 60079-7:2015 EN 60079-31:2014 EN 60079-1:2014
	IECEX IMQ 13.0006X	IEC 60079-0:2011 Edition:6 IEC 60079-7:2015 Edition:5 IEC 60079-31:2013 Edition:2 IEC 60079-1:2014 Edition:7
	№ TC RU C-TR.AA87.B.00941	ГОСТ 31610.0-2014 ГОСТ IEC 60079-1:2013 ГОСТ IEC 60079-31:2013
	DNV 12.0052 X	ABNT NBR IEC 60079-0:2013 ABNT NBR IEC 60079-1:2009 ABNT NBR IEC 60079-7:2008 ABNT NBR IEC 60079-31:2011
	E-14044	IEC/EN60079-0 IEC/EN60079-7 IEC/EN60079-31 IEC/EN60079-1 IEC/EN 62444

-For more information see our webpage.

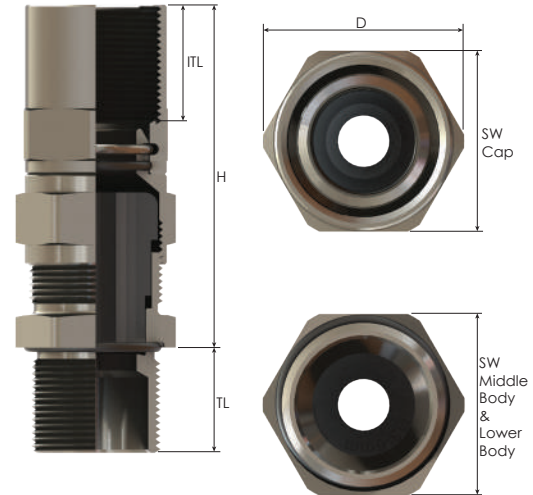
* The standard marking consists ATEX & IECEx only. Marking acc. to other standards on request.



Order Coding								
Part Number	Material	Seal	- Gasket (Washer)	Serrated Washer	Lock Nut	Earth Tag	for Ex e	
Mandatory	Mandatory	Mandatory	- Option	Option	Option	Option	Option	Option
See table	B Brass BN Brass Nickel plated X Stainless steel 316L A Aluminium	C Chloroprene S Silicone	- WC Chloroprene WS Silicone WF Fiber	WSR Serrated washer	L Lock nut	E Earth tag	TL9	
Example	EBMS23M12N BN	S	- WC	WSR	L	E	TL9	

E-CYGNUS

Rigid Conduit Swivel Fittings for Ex d/e applications



Thread Type NPT acc. to ANSI ASME B1.20.1											
Outer Thread Size (Male)	Inner Thread Size (Female)	Clamping Range		Outer Thread Length	Inner Thread Length	Cap	Spanner Width		Outer Ø	max. Height	Part Number
		Ø min-max mm	Seal Type				TL mm	ITL mm			
NPT 3/8"	NPT 3/8"	4,0 - 12,0	Triple	16,0	16,0	27	27	22	30,0	56,5	EBMS01N01N
	NPT 1/2"	4,0 - 12,0	Triple	16,0	16,0	27	27	22	30,0	56,0	EBMS01N12N
NPT 1/2"	NPT 3/8"	4,0 - 12,0	Triple	16,0	16,0	27	27	22	30,0	52,0	EBMS12N01N
	NPT 1/2"K	4,0 - 12,0	Triple	16,0	16,0	27	27	22	30,0	52,0	EBMS1N1N
	NPT 1/2"	10,0 - 16,0	Triple	16,0	16,0	32	32	28	35,5	54,5	EBMS12N12N
	NPT 3/4"	10,0 - 16,0	Triple	16,0	16,0	32	32	28	35,5	56,5	EBMS12N23N
NPT 3/4"	NPT 1/2"	10,0 - 16,0	Triple	16,0	16,0	32	32	28	35,5	54,5	EBMS23N12N
	NPT 3/4"K	10,0 - 18,0	Triple	16,0	16,0	32	32	28	35,5	56,5	EBMS2N2N
	NPT 3/4"	14,0 - 20,0	Triple	16,0	16,0	40	40	35	44,5	58,5	EBMS23N23N
	NPT 1"	14,0 - 20,0	Triple	16,0	20,0	40	40	35	44,5	64,5	EBMS23N34N
NPT 1"	NPT 3/4"	14,0 - 20,0	Triple	20,0	16,0	40	40	35	44,5	58,5	EBMS34N23N
	NPT 1"	14,0 - 24,0	Triple	20,0	20,0	40	40	35	44,5	64,0	EBMS3N3N
	NPT 1"	22,0 - 26,0	Triple	20,0	20,0	48	45	45	53,3	68,0	EBMS34N34N
	NPT 1 1/4"	22,0 - 26,0	Triple	20,0	20,0	48	45	45	53,3	68,0	EBMS34N45N
NPT 1 1/4"	NPT 1"	22,0 - 26,0	Triple	20,0	20,0	48	45	45	53,3	69,0	EBMS45N34N
	NPT 1 1/4"K	22,0 - 32,0	Triple	20,0	20,0	48	45	45	53,3	69,0	EBMS4N4N
	NPT 1 1/4"	26,0 - 34,0	Triple	20,0	20,0	55	55	55	61,0	76,0	EBMS45N45N
	NPT 1 1/2"	26,0 - 34,0	Triple	20,0	20,0	55	55	55	61,0	76,0	EBMS45N56N
NPT 1 1/2"	NPT 1 1/4"	26,0 - 34,0	Triple	20,0	20,0	55	55	55	61,0	76,0	EBMS56N45N
	NPT 1 1/2"K	26,0 - 35,0	Triple	20,0	20,0	55	55	55	61,0	76,0	EBMS5N5N
	NPT 1 1/2"	35,0 - 41,0	Triple	20,0	20,0	64	64	64	70,0	75,5	EBMS56N56N
	NPT 2"	35,0 - 41,0	Triple	20,0	20,0	80	80	64	89,0	85,5	EBMS56N67N
NPT 2"	NPT 1 1/2"	35,0 - 41,0	Triple	20,0	20,0	64	64	68	75,0	75,5	EBMS67N56N
	NPT 2"K	35,0 - 45,0	Triple	20,0	20,0	64	64	68	75,0	77,0	EBMS6N6N
	NPT 2"	46,0 - 52,0	Triple	20,0	20,0	80	80	75	89,0	85,5	EBMS67N67N
	NPT 2 1/2"	46,0 - 52,0	Triple	20,0	21,0	95	95	75	105,0	90,0	EBMS67N78N
NPT 2 1/2"	NPT 2"	46,0 - 52,0	Triple	21,0	20,0	80	80	80	89,0	85,5	EBMS78N67N
	NPT 2 1/2"K	46,0 - 62,0	Triple	21,0	21,0	80	80	80	89,0	86,5	EBMS7N7N
	NPT 2 1/2"	60,0 - 64,0	Triple	21,0	21,0	95	95	95	105,0	90,0	EBMS78N78N
	NPT 3"	60,0 - 64,0	Triple	21,0	21,0	105	105	95	117,0	90,0	EBMS78N810N
NPT 3"	NPT 2 1/2"	60,0 - 64,0	Triple	21,0	21,0	95	95	95	105,0	90,0	EBMS810N78N
	NPT 3"K	60,0 - 75,0	Triple	21,0	21,0	95	95	95	105,0	90,0	EBMS8N8N
	NPT 3"	75,0 - 79,5	Triple	21,0	21,0	105	105	105	117,0	90,0	EBMS810N810N
	NPT 4"K	75,0 - 79,5	Triple	21,0	21,0	115	115	105	128,0	90,0	EBMS810N10N
NPT 4"	NPT 3"	75,0 - 79,5	Triple	21,0	21,0	105	105	115	128,0	90,0	EBMS11N810N
	NPT 4"K	75,0 - 85,0	Triple	21,0	21,0	115	115	115	128,0	90,0	EBMS10N10N
	NPT 4"	85,0 - 95,0	Triple	21,0	21,0	115	115	115	128,0	91,0	EBMS11N11N

Straight Liquid Tight Conduit Fittings Male, Brass

Liquid Tight Conduit Fittings Straight (Male), Brass

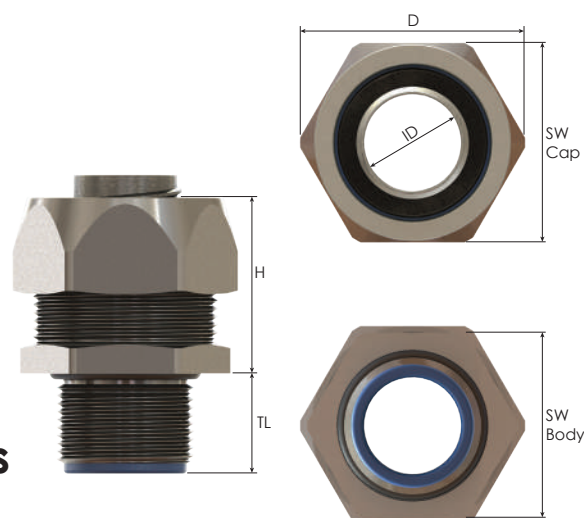
- Fittings for Sealrite conduits.
- For metal machines and housings.
- For standard industrial applications in harsh environments.
- Great corrosion protection.
- Easy assembly.
- High quality strain relief and sealing, reliable performance for standard industrial applications.

Technical Details

	Body, Cap	Brass Nickel plated		
	Ferrule	Brass Nickel plated or Steel zinc plated		
Material	Prot.Bushing	Polyamide 6 V2	Metric	PG
	Seal Ring	Polyamide 6 V2		
	O-Ring	NBR		
	Ingress Protection Rating	IP 65 IP 66		
Operating Temperature	Permanent -45 °C to +105 °C			
Cable Type	Non armoured			
Thread Type	<ul style="list-style-type: none"> • Metric EN 60423 • PG DIN 40430 • NPT ANSI B1.20.1 			
Accessories	<ul style="list-style-type: none"> • Lock nuts • Also available in Stainless Steel 			
Remarks	<ul style="list-style-type: none"> • O-ring available in Metric and PG threads. • Accessories must be ordered separately. 			



Straight Liquid Tight Conduit Fittings Male, Brass



Thread Type acc. to EN 60423

Outer Thread Size (Male)	For Sealtite Nominal Size	Outer Thread Length		Spanner Width		Outer Ø	Inner Ø	max. Height	Part Number	Minimum Order Quantity
		TL mm	SW Cap mm	SW Body mm	D mm					
M12x1,5	1/4"	10,0	22	20	24,5	5,2	23,0	BBFM-01	500	
M16x1,5	5/16"	11,5	26	24	29,0	8,3	25,5	BBFM-02(S)	500	
	3/8"	11,5	26	24	29,0	10,2	25,5	BBFM-02	500	
M20x1,5	3/8"	13,0	26	24	29,0	10,2	25,5	BBFM-03(S)	400	
	1/2"	13,0	29	27	32,7	13,5	26,5	BBFM-03	400	
M25x1,5	3/4"	15,0	35	33	39,0	18,5	27,0	BBFM-04	200	
M32x1,5	1"	15,0	45	43	50,0	23,5	34,0	BBFM-05	100	
M40x1,5	1 1/4"	16,0	54	52	60,0	31,8	38,5	BBFM-06	60	
M50x1,5	1 1/2"	18,0	63	60	69,3	36,8	40,5	BBFM-07	40	
M63x1,5	2"	20,0	77	74	85,0	47,8	47,0	BBFM-08	28	

Thread Type PG acc. to DIN 40430

Outer Thread Size (Male)	For Sealtite Nominal Size	Outer Thread Length		Spanner Width		Outer Ø	Inner Ø	max. Height	Part Number	Minimum Order Quantity
		TL mm	SW Cap mm	SW Body mm	D mm					
PG 7	1/4"	10,0	22	20	24,5	5,2	23,0	BBFB-01	500	
PG 9	1/4"	10,0	22	20	24,5	5,2	23,0	BBFB-02	500	
	5/16"	10,0	22	20	24,5	8,3	22,5	BBFB-02(A)	500	
	5/16"	11,5	26	24	29,0	8,3	22,5	BBFB-02(B)	500	
	3/8"	11,5	26	24	29,0	10,2	25,5	BBFB-02(C)	500	
PG 11	3/8"	11,5	26	24	29,0	10,2	25,5	BBFB-03	500	
PG 13,5	3/8"	11,5	26	24	29,0	10,2	25,5	BBFB-04	500	
PG 16	1/2"	13,0	29	27	32,7	13,5	26,0	BBFB-05	400	
PG 21	3/4"	15,0	35	33	39,0	18,5	26,5	BBFB-06	200	
PG 29	1"	15,0	45	43	50,0	23,5	34,0	BBFB-07	100	
PG 36	1 1/4"	16,0	54	52	60,0	31,8	38,0	BBFB-08	60	
PG 42	1 1/2"	18,0	63	60	69,3	36,8	41,0	BBFB-09	40	
PG 48	2"	20,0	77	74	85,0	47,8	46,5	BBFB-10	28	

Thread Type NPT acc. to ANSI B1.20.1

Outer Thread Size (Male)	For Sealtite Nominal Size	Outer Thread Length		Spanner Width		Outer Ø	Inner Ø	max. Height	Part Number	Minimum Order Quantity
		TL mm	SW Cap mm	SW Body mm	D mm					
NPT 1/4"	1/4"	10,0	22	20	24,5	5,2	23,0	BBFN-05	500	
NPT 3/8"	1/4"	10,0	22	20	24,5	10,2	23,0	BBFN-01(S)	500	
	3/8"	11,5	26	24	29,0	10,2	25,5	BBFN-01	500	
NPT 1/2"	3/8"	13,0	26	24	29,0	10,2	25,5	BBFN-02(S)	400	
	1/2"	13,0	29	27	32,7	13,5	26,0	BBFN-02	400	
NPT 3/4"	3/4"	15,0	35	33	39,0	18,5	27,0	BBFN-03	200	
NPT 1"	1"	15,0	45	43	50,0	23,5	33,5	BBFN-04	100	
NPT 1 1/4"	1 1/4"	16,0	54	52	60,0	31,8	37,5	BBFN-05	60	
NPT 1 1/2"	1 1/2"	18,0	63	60	69,3	36,8	40,5	BBFN-06	40	
NPT 2"	2"	20,0	77	74	85,0	47,8	47,5	BBFN-07	28	